



STAINLESS STEEL Drainboard Storage Cabinets 21" Wide Units



Item #: _____	Qty #: _____
Model #: _____	
Project #: _____	



Open Base
CRD-2B Shown



**Open Base
w/ Mid-Shelf**
CRD-2BM Shown



**w/ Mid-Shelf
& Door**
CRD-2BMD Shown

FEATURES:

- Embossed and seamless drainboard with drain in back right.
- 3" diameter hole in back panel for plumbing.
- Stainless steel legs with adjustable stainless steel bullet feet.
- Optional removable hinged door.
- Optional stainless steel mid-shelf.
- Rear deck provides extra storage.
- 4" backsplash.

MECHANICAL:

1" IPS drain

MATERIAL:

20 gauge, 300 stainless steel

Backsplash & Front Molding: 22 gauge, 300 stainless steel

Legs: 16 gauge stainless Steel 1 5/8" O.D. with adjustable stainless steel bullet feet

OPTIONAL:

- SU-27** - Add door lock
- SU-22A** - Add 10" x 14" x 10" sink with faucet
- SU-68** - Omit corrugation on drainboard

	21" WIDE Model #	Size W x L x H	Approx. Weight	Approx. Cu. Ft.
OPEN BASE	CRD-2B	21" x 24" x 33"	60 lbs.	14
	CRD-30B	21" x 30" x 33"	65 lbs.	18
	CRD-3B	21" x 36" x 33"	72 lbs.	20
	CRD-4B	21" x 48" x 33"	94 lbs.	26
OPEN BASE W/ MID-SHELF	CRD-2BM	21" x 24" x 33"	65 lbs.	14
	CRD-30BM	21" x 30" x 33"	78 lbs.	18
	CRD-3BM	21" x 36" x 33"	85 lbs.	20
	CRD-4BM	21" x 48" x 33"	105 lbs.	26
W/ MID-SHELF & DOOR	CRD-2BMD	21" x 24" x 33"	82 lbs.	14
	CRD-30BMD	21" x 30" x 33"	93 lbs.	18
	CRD-3BMD	21" x 36" x 33"	101 lbs.	20
	CRD-4BMD	21" x 48" x 33"	122 lbs.	26



Customer Service Available To Assist You 1-800-645-3166 8:30 am - 8:00 pm E.S.T.

For Orders & Customer Service:
Email: customer@advancetabco.com or Fax: 631-242-6900

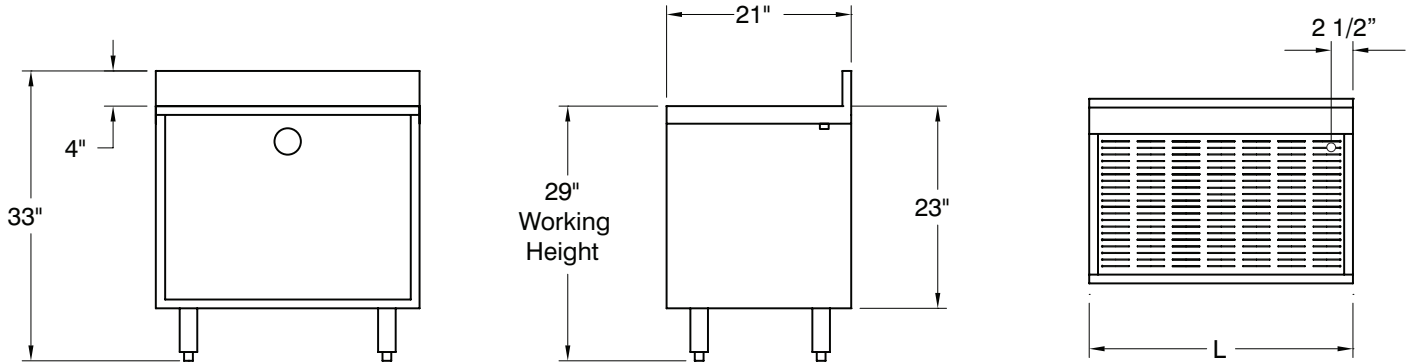
For Smart Fabrication™ Quotes:
Email: smartfab@advancetabco.com or Fax: 631-586-2933

DIMENSIONS and SPECIFICATIONS

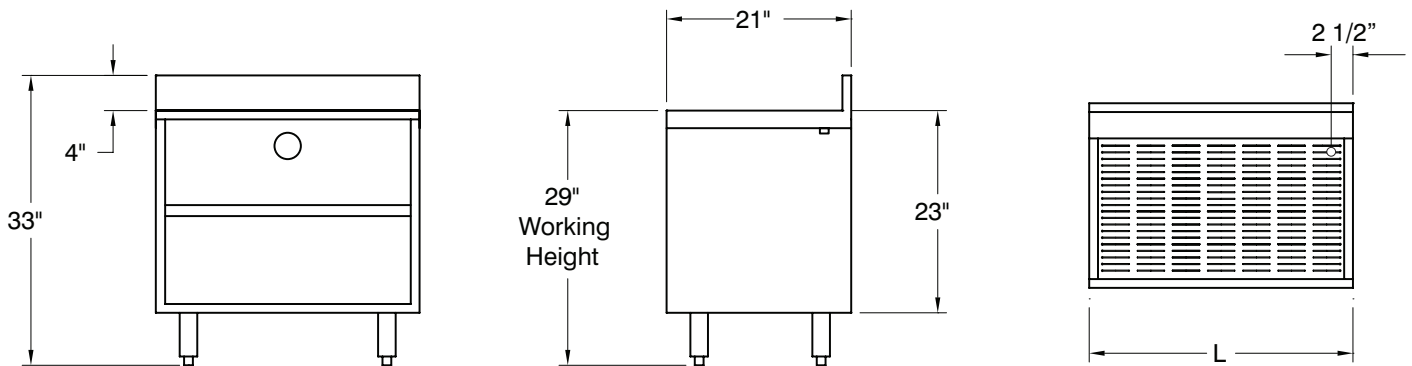
TOL Overall: ± .500" Interior: ± .250"

ALL DIMENSIONS ARE TYPICAL

Open Base



w/ Mid-Shelf



w/ Mid-Shelf & Door

